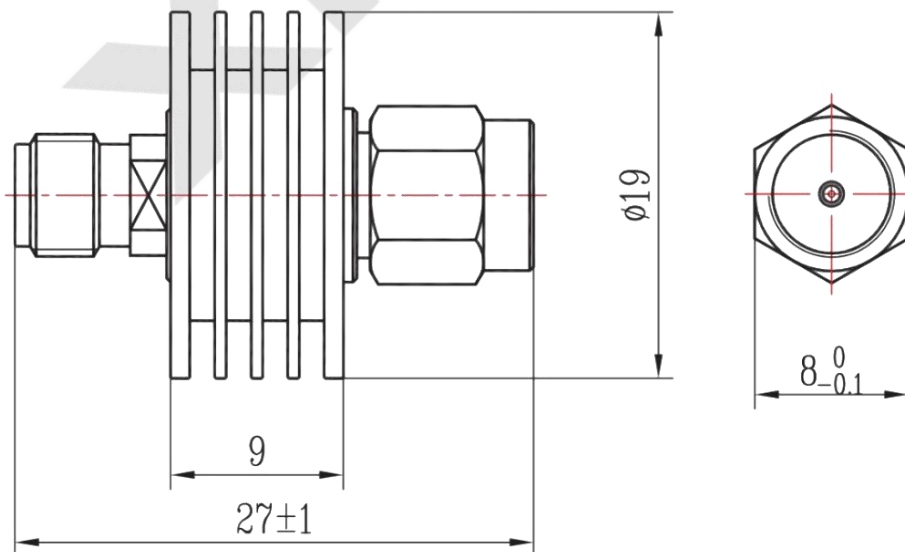


## XQY-SMAJKS-12-5W

### 【一、产品参数Parameters/规格指标Specifications】

频率范围 Frequency Range	DC-12GHz	
驻波比 VSWR	1.25:1 Max.	
衰减值及衰减精度	1~10dB	±0.6
	15~20dB	±0.7
	25~30dB	±0.9
功率 Power	5 W	
阻抗 Impedance	50 Ω	
介质耐电压 Dielectric withstand voltage	1000V	
使用寿命 Service life	≥500	
绝缘电阻 Insulation Resistance	≥5000 MΩ	
A 接头类型 A Connector Type	SMA-Male	
B 接头类型 B Connector Type	SMA-Female	
方向性 Directionality	SMA Male to SMA Female	
工作温度 Operation Temperature	-55℃ ~ +100℃	
内导体材质 Inner conductor material	铍青铜 镀金 Beryllium bronze gold plating	
外导体材质 External conductor material	不锈钢 钝化 Passivated stainless steel	
绝缘体 Insulator	PTFE	

### 【二、规格草图Draft specifications】



注: 尺寸(mm/[英寸]), 一般公差(± 0.1)

Note: Dimensions (mm / [inch]), General tolerance (±0.1)