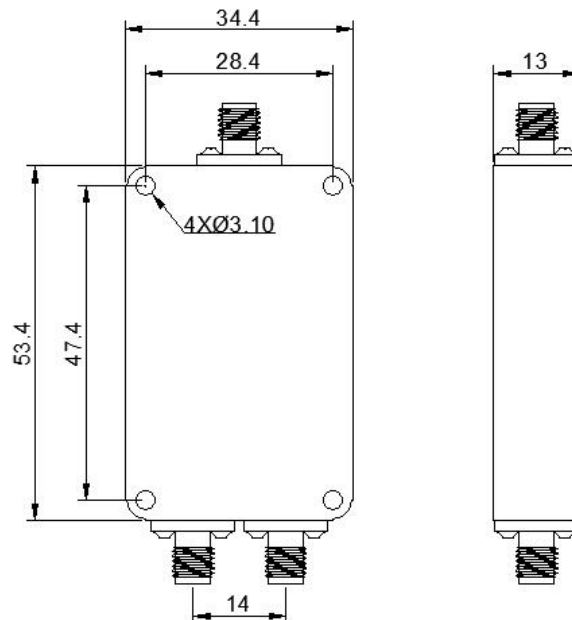


XQY-PS2-0.5/6-SI

精密高频功分/合路器

precision RF power splitter/Combiner

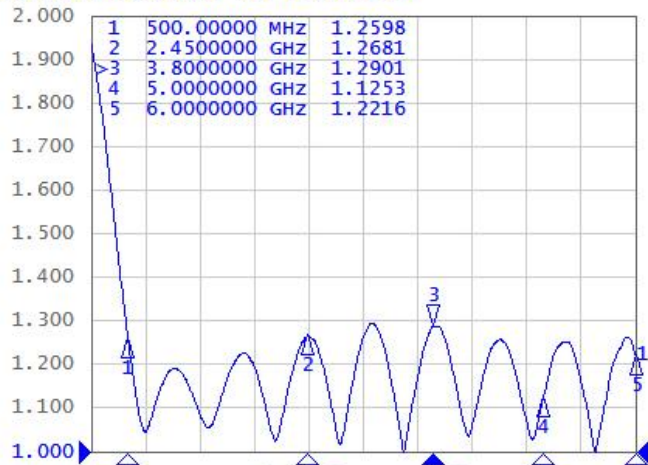
参数/Parameters	规格/Specifications
频率范围 Frequency Range	500 ~ 6000 MHz
插入损耗 Insertion Loss	≤ 1.0dB (Excluding theoretical loss 未含理论损耗 3.0 dB)
输入驻波 Input Port VSWR	Typ. 1.25 / Max.1.3
输出驻波 Output Port VSWR	Typ. 1.12 / Max.1.2
隔离度 Isolation	Typ. 23dB/ Min 20dB
幅度平衡 Amplitude Balance	≤ 0.3dB
相位平衡 Phase Balance	±3°
阻抗 Impedance	50 Ohms
端口接头 Input/Output Connectors	SMA-Female
承受功率 Power Rating	Splitter 分路器用时 30W; Combiner 合路器用时 2W
工作温度 Operation Temperature	-40°C ~ +75°C
表面处理 Surface Finishing	喷砂本导
外形尺寸 Outline Dimensions	53.4*34.4*13 (mm)
重量 Weight	50 (g)



注: 尺寸(mm/[英寸]), 一般公差(± 0.3)

Note: Dimensions (mm / [inch]), General tolerance (±0.3)

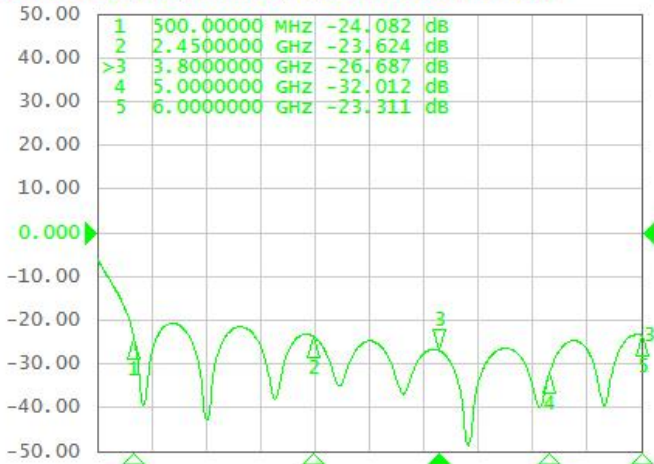
Tr1 S11 SWR 100.0m/ Ref 1.000 [F2]



Tr2 S21 Log Mag 1.000dB/ Ref -3.000dB [F2]



Tr3 S12 Log Mag 10.00dB/ Ref 0.000dB [F2 Smo]



Tr4 S22 SWR 100.0m/ Ref 1.000 [F2]

